

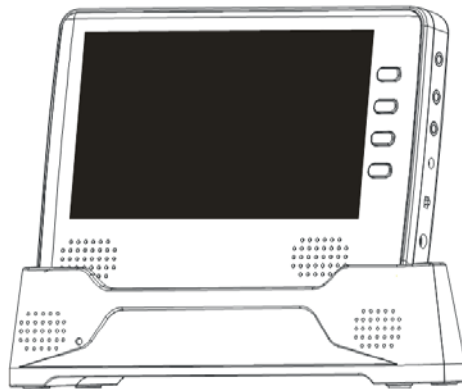
# Tivax HiRez<sup>7</sup> Docking Station User's Guide

Congratulations on your selection of the HiRez<sup>7</sup> digital television and docking station! In order to optimize your use of these products, please consider the following:

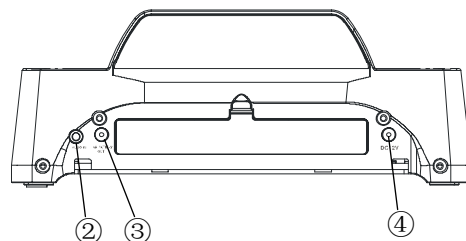
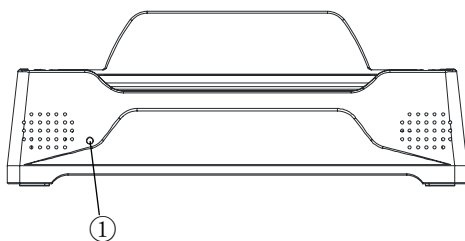
This docking station (DS) is designed as a holder for the HiRez<sup>7</sup> portable TV, charge the Li-Ion batteries, and work with 8 AA batteries or 2 Li-Ion batteries to provide power for the TV when no other power source is available such as in a power outage. In addition, it also offers enhanced sound for the TV as well.

## 1. Getting set up:

- Identify the 2 cables (1 power cable and 1 audio cable) provided with your docking station.
- Place the HiRez<sup>7</sup> portable TV in the docking station. It will fit snugly.



## 2. Use the DS to power the TV



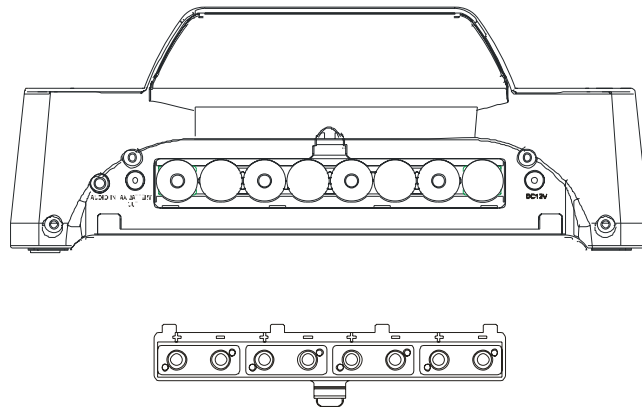
① LED light (Charging)    ② Audio input    ③ AA battery output    ④ DC 12V input

### a) Using the external power supply

- Connect the power supply (comes with the HiRez<sup>7</sup>) to the DC 12 V input of the DS ④
- For enhanced sound, connect the included audio cable to the Audio input on the docking station ② and to the headset input on the TV (top input on the right side).
- Turn the TV on and refer to the operating procedures in the TV's users' manual.

b) Using AA batteries

- When no other power source is available, you may choose to use AA batteries.
- Remove the battery cover at the rear of the DS by pulling the battery compartment tab toward you.
- Install 8AA regular batteries in the rear of the docking station making sure the battery terminals +/- match the +/- signs on the bottom of the docking stations to ensure correct electrical polarity.
- Attach the included power cable to the AA Battery Out on the DS ③ and to the AA Battery In on the Hi-Rez<sup>7</sup> TV.
- Turn the TV on and refer to the operating procedures in the TV's users' manual.

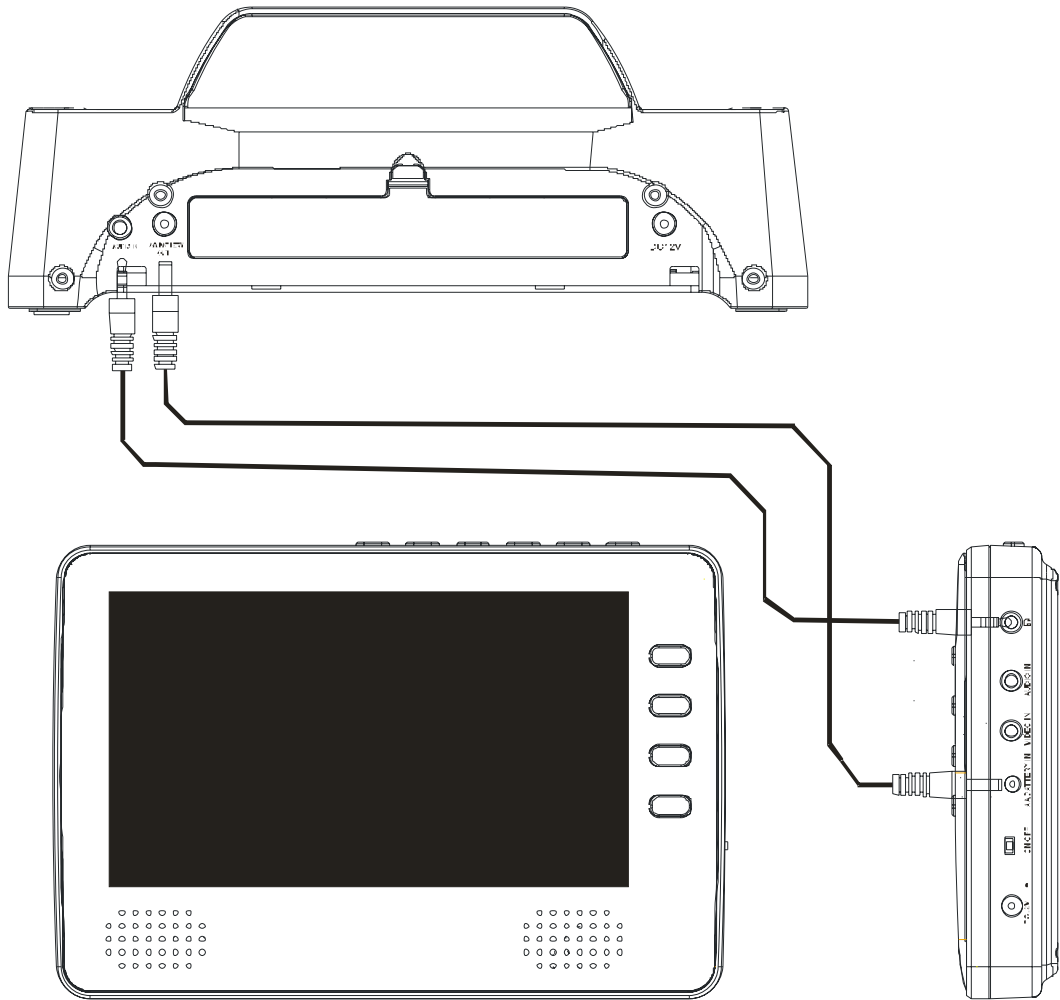


### 3. Use the DS to charge the Li-Ion batteries

1) Installing the Li-Ion batteries (in the docking station)

- Remove the battery cover from the bottom of the docking station.
- Remove A. and B Li-ion batteries from the portable TV.
- Insert A and B Li-ion batteries in the opening at the bottom of the docking station making sure the battery terminals +/- match the +/- signs on the battery cover to ensure correct electrical polarity. Please note the batteries are different in size and will only fit in appropriate charging compartment.
- Place battery cover back by pressing down and pushing into the slot.
- Connect power adapter to docking station and to the power supply.
  - Note: If the Li-ion battery is not placed correctly in the docking station, the LED light will be flashing red.
- LED light will turn red (no flashing) during the time batteries are being charged.
- LED light will turn green when batteries are fully charged.

Note: Unplug the power adapter if the machine is not being used.



Battery dimensions and voltage:

Battery A: 71.4\*51.4\*7mm, 3.7V; Battery B: 81.4\*51.4\*7mm, 3.7V

**Caution:** Please do not charge the Li-ion batteries inside the DS while the TV is on.

**This may overload your power supply.**

Questions? Please contact us at the information below from 9am to 5pm PST.

**General Information:** [info@tivax.com](mailto:info@tivax.com) 1-888-33-Tivax (1-888-338-4829)

**Customer Support:** [support@tivax.com](mailto:support@tivax.com)

Thank you for choosing Tivax!

[www.tivax.com](http://www.tivax.com)